



# IDEABOX Control System



Idea Your Machine

## IDEABOX 3 Control System

Specially designed for complicated machine and factory automation



**Powerful**  
Bigger, faster



**Integrated Architecture**

Local 4-axis advanced motion control function with motion control period of 125us, support linear interpolation, arc interpolation etc. with PLC scanning period of 1ms



**IEC61131-3 Standard**

Support 5 PLC programming languages which are IL, ST, FBD, LD, and SFC based on IEC61131-3 standard software platform



**IOT**

Support factory informatization with optional provided Web server and OPC  
Support Windws/Linux/MacOS/IOS servers  
Android remote diagnosis and control to have full supervision of site equipment status



**Muti Fieldbus Interfaces**

EtherCAT, CANopen, Modbus (RS232/485), Ethernet, GLINK-I



**Motion Library**

Such as robot function block, CNC function block, etc.  
Support modularization



**High Speed**

Bus communication speed of 250us, which is also the local I/O refresh rate to process external interruption  
Synchronized clock for precise positioning in nanoseconds



**Expansibility**

65535 digital I/O channels  
64000 analog I/O channels  
Up to 16-axis synchronized control to tackle complex requirements with ease



**Realtime Multiple Tasks**

Random switch among 32 concurrent tasks efficiently and easily



# GTHD High Performance Servo Drive

## Specifications

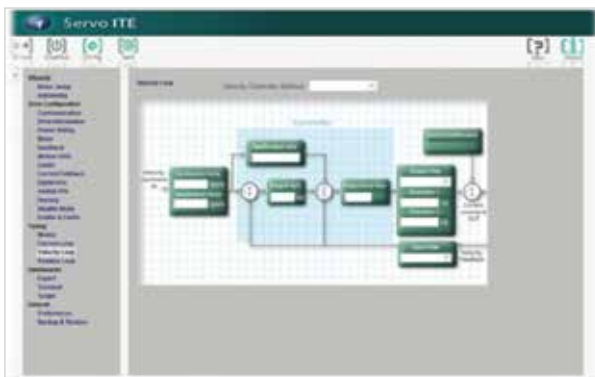
Function	Description
Supported motor	Rotary/Linear / DDR / Brush or brushless
Encoder and protocol	Incremental encoder/ Absolute Encoder/ Resolver/ Sin wave encoder /Cos wave encoder/EnDAT2.1&EnDAT 2.2
Control mode	Position / Velocity / Current
Pulse signal	Pulse + Direction/ $\pm$ Pulse
Maximum output frequency	50 kHz
Speed range	0~6000 rpm
Speed control accuracy	$<\pm 0.2\%$
Speed fluctuation	$<\pm 0.3\%$
Positioning accuracy	$<\pm 1$ pulse
Current loop bandwidth	3000 Hz
Velocity loop bandwidth	600 Hz
Position loop bandwidth	100 HZ
Digital IO	11 Input / 6 Output
Analog IO	2 Input / 1 Output
Operating Temperature	-10~45 $^{\circ}$ C
Humidity	5%~95%
Communication bus supported	gLink/RS232/USB/CanOpen/EtheCat/ProfiNet

## Dimension

Model	Rating Voltage (VAC)	Dimension W x H x D (mm)
GTHD-003	120/240	43 x 173 x 143
GTHD-006	120/240	55 x 173 x 167
GTHD-013	120/240	62 x 194 x 182
GTHD-024	120/240	116 x 245 x 194
GTHD-003&GTHD-006	400/480	110 x 172 x 193
GTHD-012-4DAP1	400/480	117 x 245 x 194

## ServoITE

ServoITE is a graphic user interface (GUI) provided with the GTHD to enable set up, configuration and tuning of the drive. It allows you to program the drive parameters specifically for the motor to which the GTHD is connected, and for the particular operation that the drive will be performing in the machine.

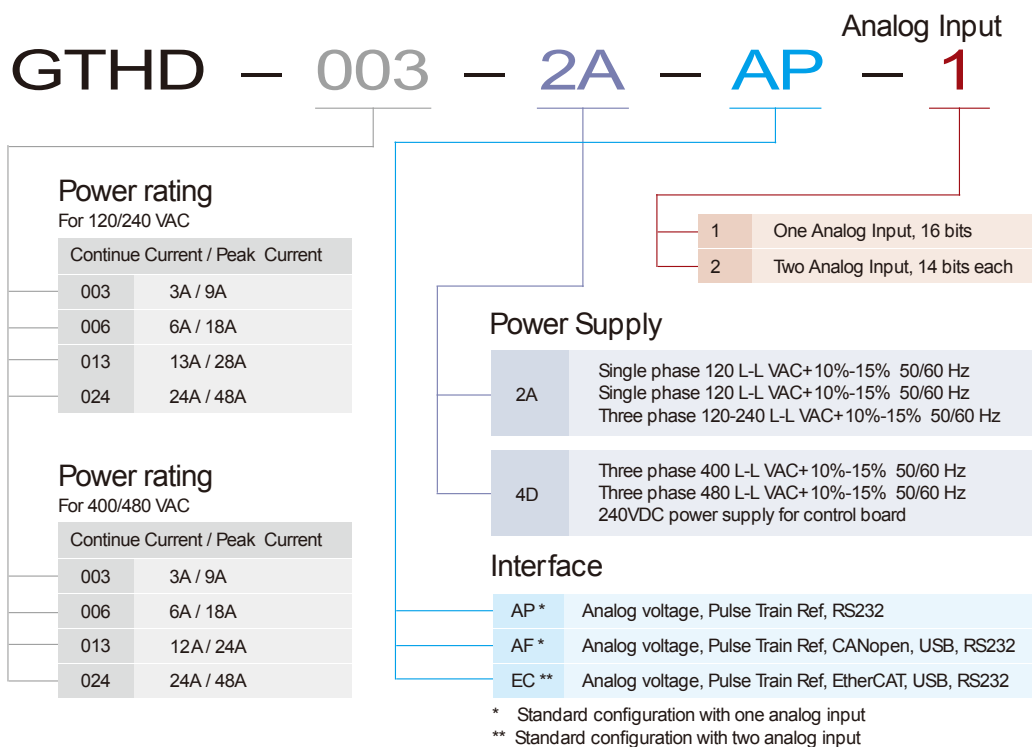


Page for editing the parameters of velocity loop



Page for editing the motion's acceleration, deceleration and position

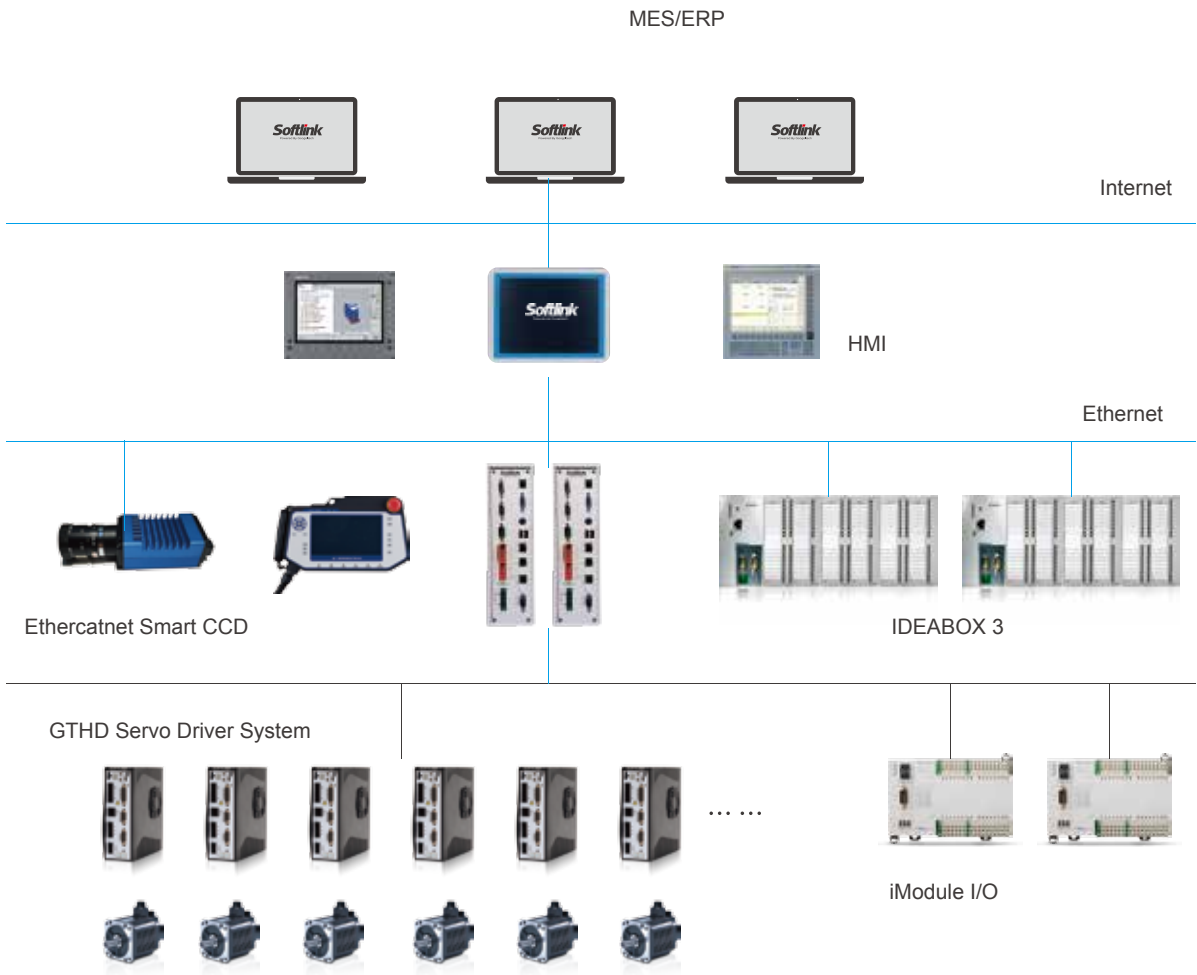
## Selection Guide



## Ordering Guide

Model / Parameters		Rated Current (A)	Rated Voltage (V)	Motor Power (W)	Communication
Standard type Series (Analog model)	GTHD-003-2AAP1	3	220	400/750(Small inertia)	RS232
	GTHD-006-2AAP1	6		750(Mid. To Large inertia) / 1000/1300/1500	
	GTHD-013-2AAP1	13		2500/3000/3500	
	GTHD-024-2AAP1	24		4400/5500/7300	
	GTHD-003-4DAP1	3	380	Below 1500	
	GTHD-006-4DAP1	6		Below 3000	
	GTHD-012-4DAP1	12		Below 6300	
Analog+ CANopen	GTHD-003-2AAF1	3	220	400/750(Small inertia)	STD + CANopen, USB, support Hiperface
	GTHD-006-2AAF1	6		750(Mid to Large inertia) / 1000/1300/1500	
	GTHD-013-2AAF1	13		2500/3000/3500	
	GTHD-024-2AAF1	24		4400/5500/7300	
	GTHD-003-4DAF1	3	380	Below 1500	
	GTHD-006-4DAF1	6		Below 3000	
	GTHD-012-4DAF1	12		Below 6300	
Analog + EtherCAT	GTHD-003-2AEC2	3	220	400/750(Small inertia)	STD+ EtherCAT, USB, support Hiperface
	GTHD-006-2AEC2	6		750(Mid to Large inertia) / 1000/1300/1500	
	GTHD-013-2AEC2	13		2500/3000/3500	
	GTHD-024-2AEC2	24		4400/5500/7300	

# Softlink Smart Factory



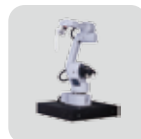
## Application



Linear Motor Stage



Injection Molding Machine



Robotic



CNC



Laser Cutting Machine



Laser Welding Machine




Textile




SMT Placement Machine

## G&S Intelligent Technology Co., Ltd.

 1st Floor, Bldg No.4, No.555 Dongchuan Rd.,  
Minhang Dist, Shanghai, 200241 China

 86-21-54708386/54708786

 86-21-54708386

 [www.softlink.cn](http://www.softlink.cn)

 [info@softlink.cn](mailto:info@softlink.cn)